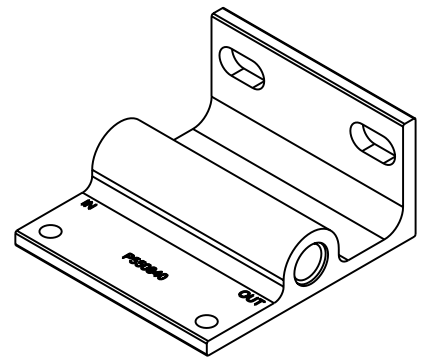
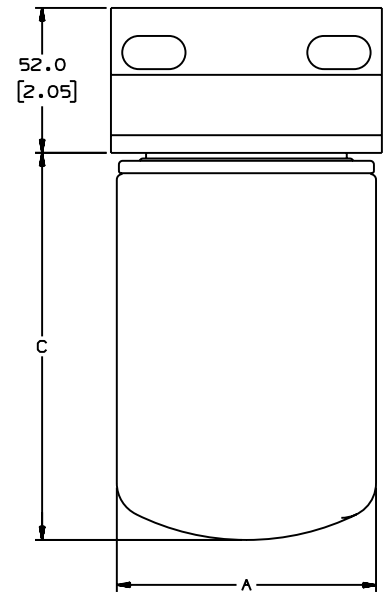
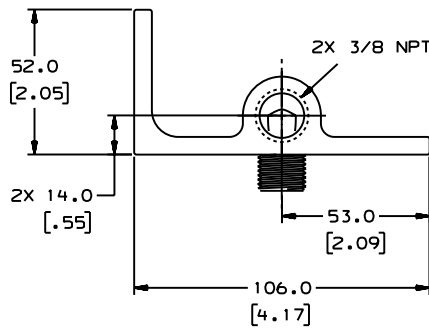
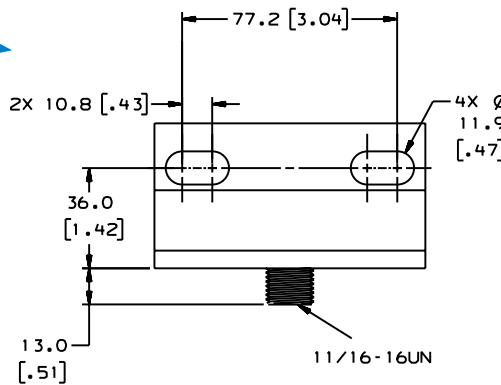
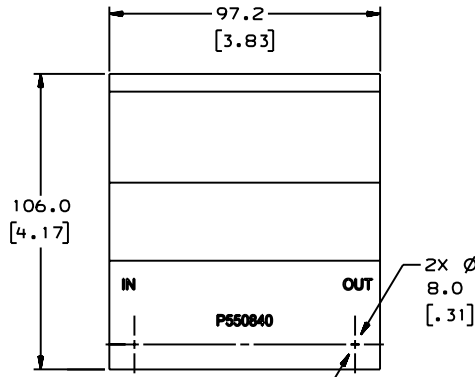
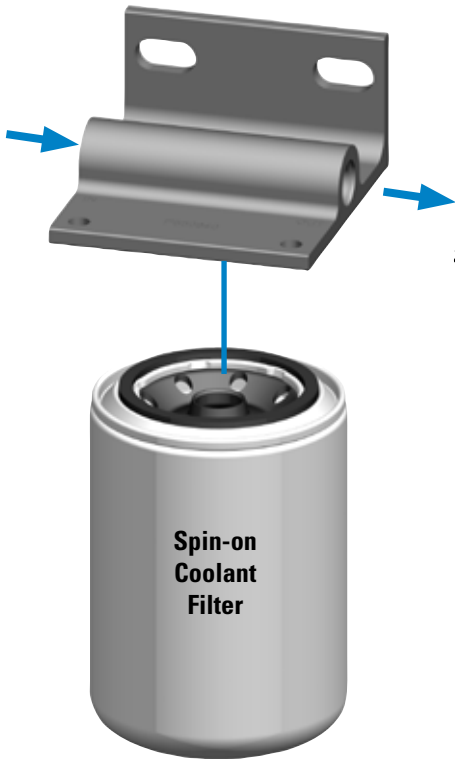




Handles Coolant Systems up to 400 Gallons / 1500 Liters

The Donaldson remote mount head is designed to fit all our spin-on filters with a 11/16" -16 threads. The bracket can be mounted remotely.

Head Part No. P550840



Outer Dia. (A)		Length		Efficiency @ Micron	Chemical Units	SCA Filter Part No.	SCA+ Filter Part No.
IN	MM	IN	MM				
3.66	93	4.21	107	99% @ 50	2 Units		P552070
				99% @ 50	4 Units	P554071	P552071
				99% @ 50	6 Units	P554072	P552072
		5.35	135	99% @ 14	Extended Service No Chemical	ECF4085	
				99% @ 14	Extended Service, Time Release	ECF4088	N/A
				99% @ 50	8 Units	P554073	P552073
				99% @ 50	12 Units	P554074	P552074
				99% @ 50	15 Units	P554075	P552075
				99% @ 50	Standard Service No Chemical	P554685	