

Fuel Heads & Filters

Filter Dia. 76 MM (3.0") x M16-1.5



Fuel Flow Range: up to 30 gph / 114 lph

Operating Pressure

0-100 psi (690 kPA) without bowl

Temperature Range

-40° to 250°F (-40° to 121°C)

Flow Rate

Up to 30 gph / 114 lph
See table for filter flow rates

Fuel Compatibility

#1 or #2 Diesel, Kerosene, Biodiesel up to B20 and JP8

Mounting

Engine or Chassis

Clean Pressure Drop (Restriction) @ Recommended Flow Rate

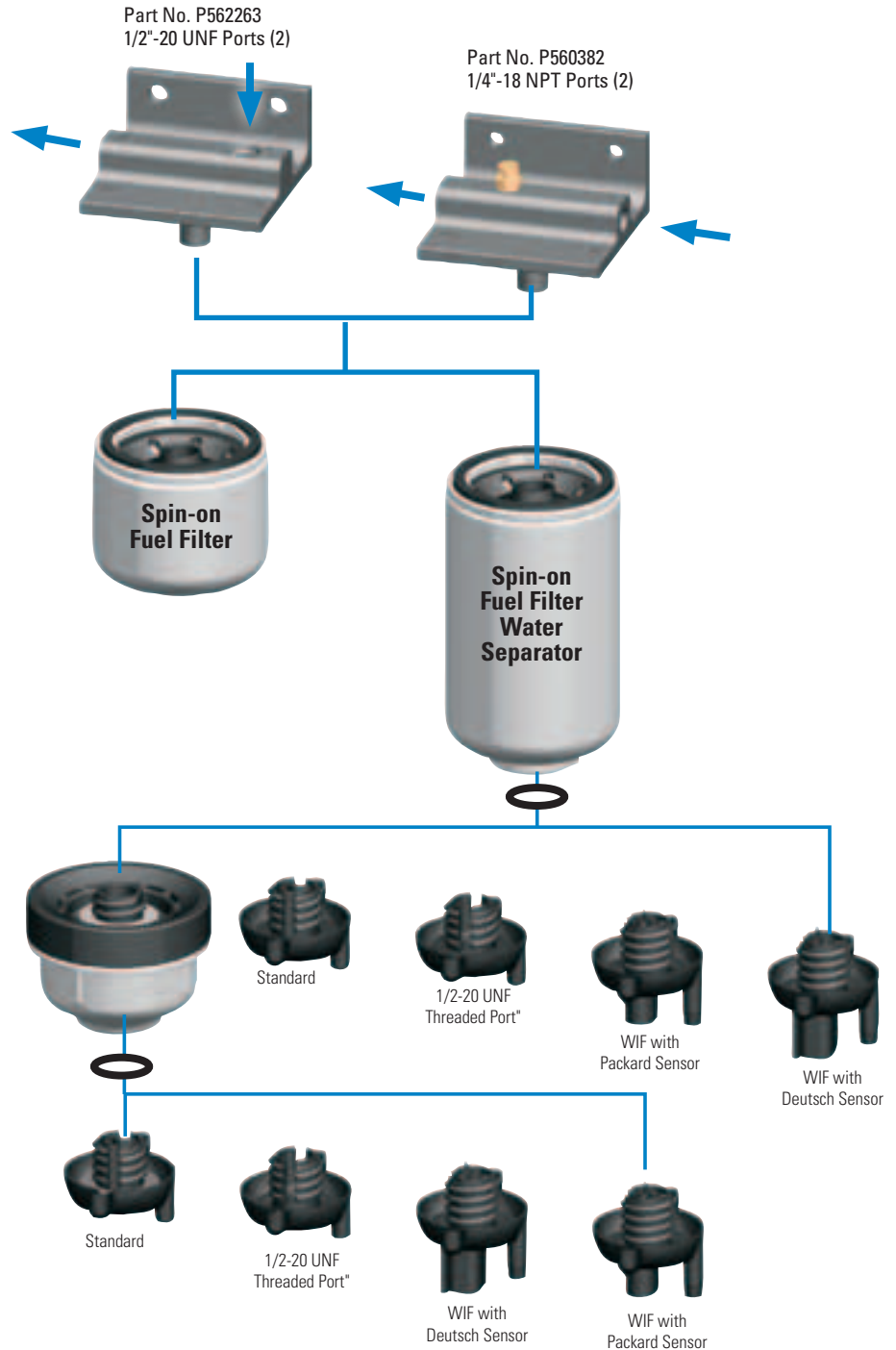
Δ kPA \leq 6.9
 Δ PSI \leq 1.0

Water Removal @ Recommended Flow Rate

SAE J1488 Emulsified: 95% efficiency
SAE J1839 Free Water: 95% efficiency

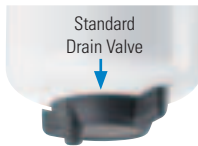
Air Bleed Vent

Bleed options available

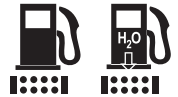


For water drain flexibility, Donaldson Twist&Drain Spin-on Filters have a connection that accommodates four types of drain valves and one clear bowl.

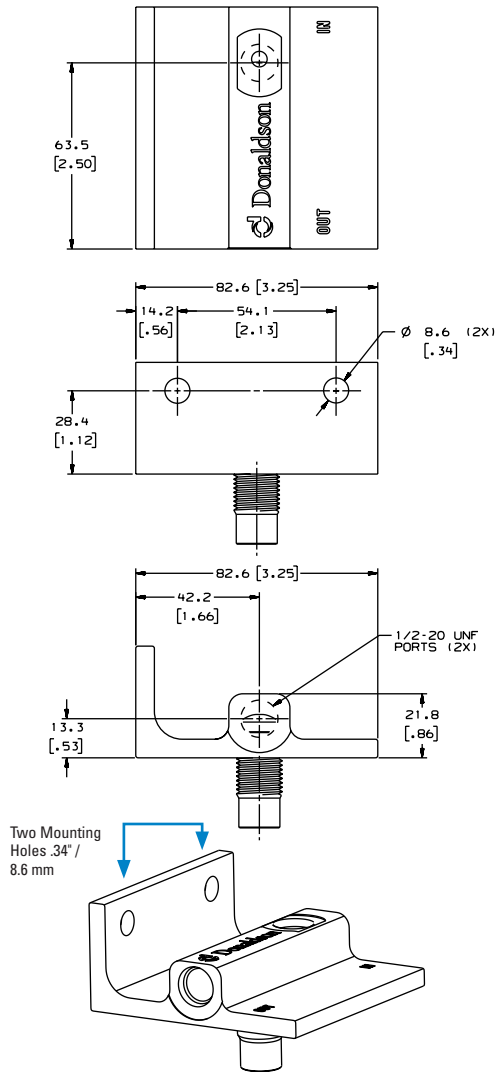
The filter selection tables shows which drain style is on the filter you're ordering.



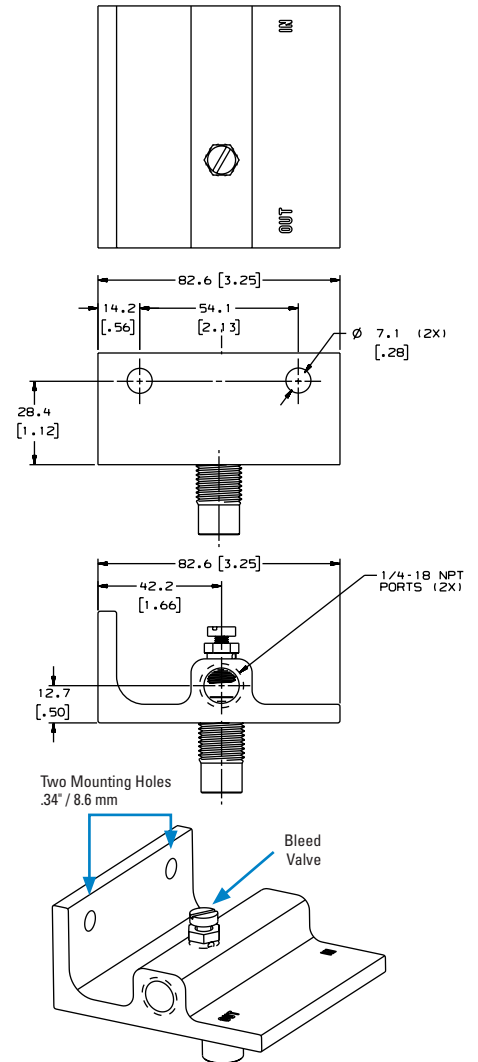
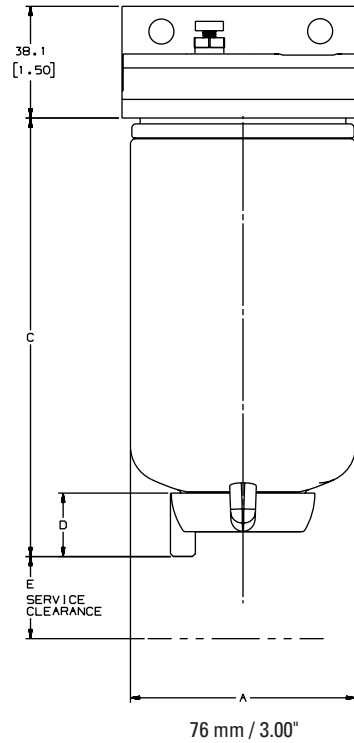
Accessories for Twist&Drain filters can be found on page 50.



Dimension Specifications



Part No. P562263
1/2"-20 UNF Ports (2)



Part No. P560382
1/4"-18 NPT Ports (2)

Filter Selection Chart

Filter Style	Max. Recommended Flow Rate		(C) Filter Length* (includes standard drain)		Efficiency @ Micron	Stand Tube	Dia. 3.00" / 76 mm Item No.	(E) Service Clearance	
	gph	lph	inches	mm				inches	mm
	15	57	4.01	102	99% @ 15	No	P551039	.93	24
	30	114	5.81	148	99% @ 11	No	P550588	.93	24
	30	114	5.81	148	99% @ 25	Yes	P550248	.93	24
	15	57	3.26	83	99% @ 16	No	P550345	.93	24
	15	57	3.26	83	99% @ 9	No	P555095	.93	24
	25	95	4.72	120	99% @ 16	Yes	P553004	.93	24
	25	95	4.72	120	99% @ 9	No	P550943	.93	24
	30	114	4.72	120	99% @ 16	Yes	P550440	.93	24

* Considering Drain Bowl? Add 1.98" / 50 mm to filter length.