



# Lube Full Flow Filtration

## 93 MM (3.66") X 1"-12



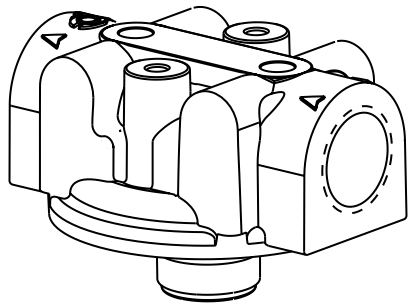
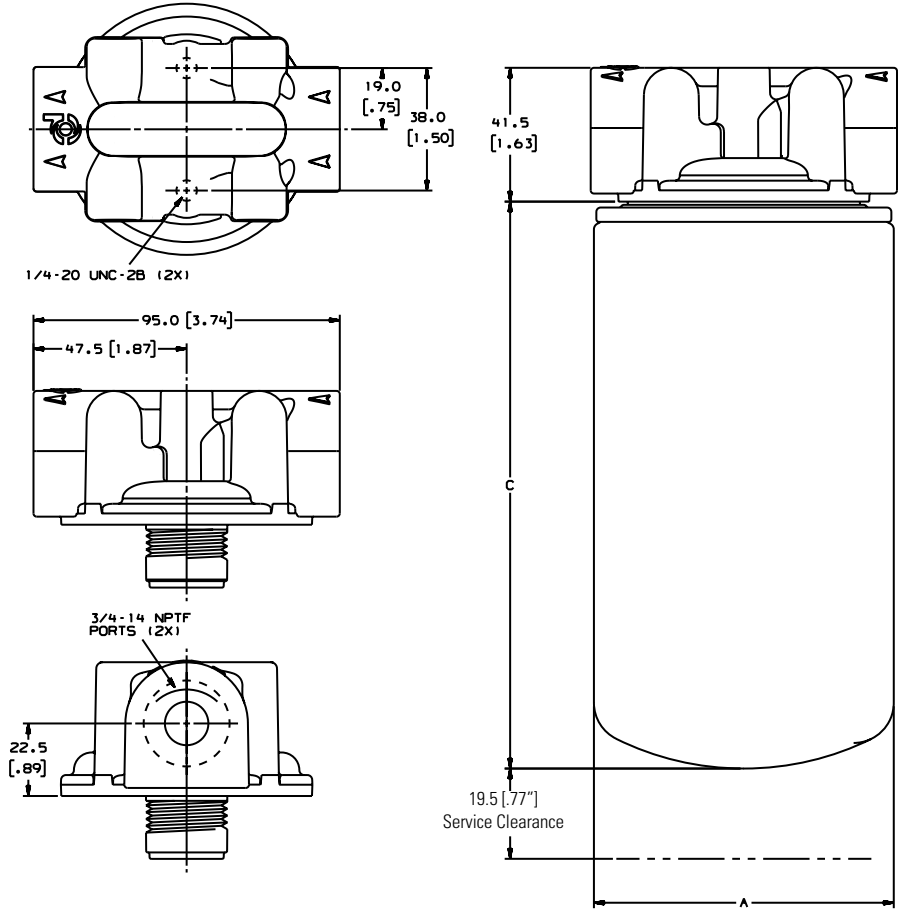
**Oil Flow Rate: 20 gpm / 76 lpm**

**Operating Pressure**  
Up to 150 psi

**Oil Flow Rate**  
Up to 20 gpm / 76 lpm

**Oil Compatibility**  
Compatible with petroleum based fluids (hydrocarbon) and up to 20% biodiesel

Head  
Part No. P561134



A (Outer Dia.)		Length		Part No.	Efficiency @ Micron	Filter Relief Valve Setting		Stand Tube	Gasket Outer Dia.		Gasket Inner Dia.	
IN	MM	IN	MM			PSI	Bar		IN	MM	IN	MM
3.66	93	5.35	136	P552819	99% @ 40	18-23	1.30-1.60	No	2.81	71	2.42	61
				P555680		18-23	1.30-1.60	No				
		6.85	174	P553712				No				
		P555616				Yes						
		P557207	7-10	0.50-0.70		No						
7.87	200	P553771	35	2.41		No						
3.74	95	5.47	139	P559418		36	2.48	No				
3.81	97	6.78	172	P558250	11-17	0.80-1.00	No					